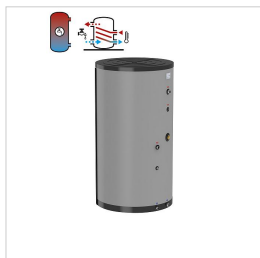


Product Data Sheet (2020-10-15)

Duo HLS-E 750 - 1000

An indirectly heated water heater that can be combined with all heating installations. The Diabolo-shaped coil guarantees an efficient heat exchange with a short heat up time. The Duo HLS-E Solar provides optimum performance combined with a high level of energy efficiency.



Type	Capacity [l]	Dimensions *			Insulation colour	Weight [kg]	###	Order Code
		Ø [mm]	H [mm]	Tilting height [mm]				
Duo HLS-E 750	748	990	1859	2098	silver	98	1	19411
Duo HLS-E 1000	950	990	2284	2481	silver	114	1	19912

* Dimensions including insulation.



Type	Distance from floor to connection centres							
	A/C [mm]	M [mm]	D [mm]	E [mm]	F/N [mm]	G [mm]	I [mm]	J [mm]
Duo HLS-E 750	50	838	936	1293	1518	568	1753	413
Duo HLS-E 1000	50	838	936	1718	1943	568	2188	413

Advantages

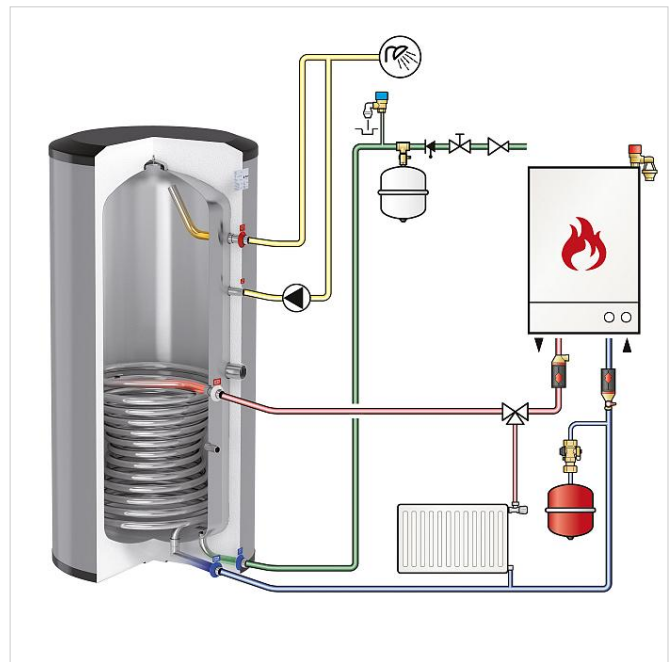
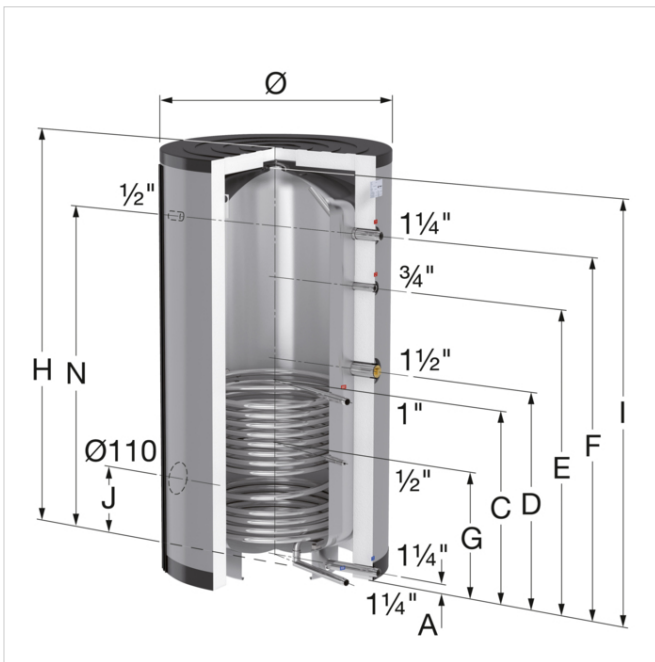
- Efficient: Minimum heat loss and very fast heating up.
- Requires little maintenance and no anode.
- Light weight.
- Excellent stratification of the water in the vessel.
- High resistance to chloride (up to 250 ppm).

Technical information

- Maximum working pressure: 10 bar (potable water vessel) / 40 bar (heating coil).
- Maximum working temperature: 95 °C (potable water vessel) / 130 °C (heating coil).
- Stainless steel type: 1.4521.
- Including an 1 1/2" connection suitable for connecting an additional electric heating element.
- Including an inspection flange DN 110 at the side.
- Insulation:

Standard colour: silver.

Including graphite polystyrene (GPS) insulation with a polypropylene outer shell (fire category B1).



Find more information online:

[Manuals](#)

[Certificates](#)

[CAD drawings](#)

[Extra documentation](#)

Flamco Group
 Plotterweg 31
 3821 BB, Amersfoort - nl
T +31 33 299 75 00
E info@flamcogroup.com
I flamcogroup.com